

Cables for ELATEC devices



The ELATEC product portfolio also contains a wide range of accessories, like wall holders, additional cables or RFID antennas, that are perfectly suited for use with the different ELATEC devices. As part of the accessory portfolio, ELATEC offers cables of different types (USB, RS-232, etc.) and lengths that can be used with all RFID readers and modules or other devices, like the TCP converters.



Elevator



EV Chargers



Access



Shop POS



Fitness
Equipment



Ticket POS



PC Log-on



Document
Management



Driver ID



Vending



Parking



Gaming



Locker Locks



Time
Attendance





Industrial
PC

Please note that the list below is a non-exhaustive list and further cables might be available on request. In addition, some cables might be subject to a minimum order quantity (MOQ).

CABLES

Illustration (exemplary)	Cable type	Cable length	Order code
	TWN cable ¹⁾ USB type A	30.00 cm 11.81 inch	CAB-B0
	TWN cable ¹⁾ USB type A	490.00 cm 192.91 inch	CAB-B1
	TWN cable ¹⁾ USB type A	200.00 cm 78.74 inch	CAB-B2
	TWN cable ¹⁾ USB type A	12.00 cm 4.72 inch	CAB-B3
	TWN cable ¹⁾ USB type A	45.00 cm 17.72 inch	CAB-B4
	TWN cable ¹⁾ USB type A	150.00 cm 59.06 inch	CAB-B5
n/a	TWN cable ¹⁾ USB type A, without strain relief	45.00 cm 17.72 inch	CAB-B6
	TWN cable ¹⁾ USB type A	120.00 cm 47.20 inch	CAB-B7
n/a	TWN cable ¹⁾ USB type A, with ferrite	200.00 cm 78.74 inch	CAB-B8
n/a	USB type A / Micro USB	180.00 cm 70.87 inch	CAB-B9
	TWN cable ¹⁾ USB type A	23.00 cm 9.06 inch	CAB-B10

	TWN cable ²⁾ Micro USB / Mini USB male bent	10.00 cm 3.94 inch	CAB-BS1
	TWN cable ²⁾ Micro USB / Mini USB female	10.00 cm 3.94 inch	CAB-BS2
	TWN cable ²⁾ Micro USB / USB type A male	12.00 cm 4.72 inch	CAB-BS3
	TWN cable ²⁾ Micro USB / USB type A male	45.00 cm 17.72 inch	CAB-BS4
	TWN cable ²⁾ Micro USB / USB type A male	120.00 cm 47.24 inch	CAB-BS5
	TWN cable ²⁾ Micro USB / USB type A male	200.00 cm 78.74 inch	CAB-BS6
	TWN cable ²⁾ Micro USB / Mini USB male	60.00 cm 23.62 inch	CAB-BS7
	TWN cable ²⁾ Micro USB / Mini USB male	22.00 cm 8.66 inch	CAB-BS9
n/a	Patch cable RJ45 SF / UTP, red	50.00 cm 19.69 inch	CAB-E1
n/a	Flat ribbon cable, AWG26, 2-pol, 3 mm tinned on both ends	10.00 cm 3.94 inch	CAB-F1

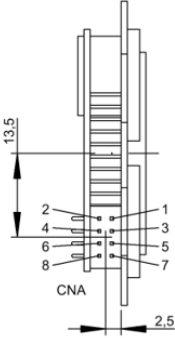
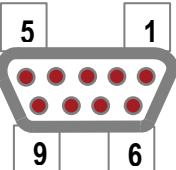
n/a	UMCC cable	10.00 cm 3.94 inch	CAB-L1
n/a	UMCC cable	15.00 cm 5.91 inch	CAB-L2
n/a	UMCC cable	50.00 cm 19.69 inch	CAB-L3
n/a	TWN cable ¹⁾ Mini USB	12.00 cm 4.72 inch	CAB-M1
	TWN cable ¹⁾ Mini USB, without strain relief	25.00 cm 9.84 inch	CAB-M2
n/a	TWN cable ¹⁾ Mini USB	40.00 cm 15.75 inch	CAB-M4
n/a	TWN cable ¹⁾ Mini USB	25.00 cm 9.84 inch	CAB-M5
n/a	TWN cable ¹⁾ Mini USB	120.00 cm 47.24 inch	CAB-M6
n/a	TWN cable ¹⁾ RS-232 ³⁾ , DSUB 9 DC, with ferrite	200.00 cm 78.74 inch	CAB-R0
	TWN cable ¹⁾ RS-232 ³⁾ , DSUB 9 DC	200.00 cm 78.74 inch	CAB-R2

¹⁾Suited for all RFID readers and modules of the TWN4 MultiTech and TWN4 MultiTech 2 product families. The cables are connected to the readers/modules with a CNA connector (Hirose DF11 series). Refer to the pin assignment described on the next page for more information.

²⁾Suited for all RFID readers and modules of the TWN4 MultiTech 3, TWN4 Slim and TWN4 Palon Compact product families.

³⁾RS-232 devices need external 5 V power supply. This can be achieved either with an external power supply or via PIN 9 of the DSUB9 connector.

PINOUT

<p>CNA connector (Hirose DF11 series) on RFID modules of the TWN4 MultiTech and TWN4 MultiTech 2 product families</p>	<p>PIN</p> <p>1 2 3 4 5 6 7 8</p>	<p>Signal</p> <p>USB/Supply Ground (black wire) USB Data+ (green wire) USB/Supply 5 V (red wire) USB Data- (white wire) RX232 RxD (input) J2-1** RX232 TxD (output) J2-2**</p>	
<p>RS-232 cable, DSUB 9, DC, female</p>	 <p>PIN</p> <p>2 3 5 9</p>	<p>Signal</p> <p>TxD to host (white wire) RxD from host (brown wire) Signal ground (yellow wire) 5 V power supply from host (green wire)</p>	

ELATEC product families	CAB-B0	CAB-B1	CAB-B2	CAB-B3	CAB-B4	CAB-B5	CAB-B6	CAB-B7	CAB-B8	CAB-B9	CAB-B10	CAB-BS1	CAB-BS2	CAB-BS3	CAB-BS4	CAB-BS5	CAB-BS6	CAB-BS7	CAB-BS9	CAB-M1	CAB-M2	CAB-M4	CAB-M5	CAB-M6	CAB-R0	CAB-R2
TWN4 Slim												•	•	•	•	•	•	•								
TWN4 MultiTech 2	•	•	•	•	•	•	•	•	•	•	•									•	•	•	•	•	•	•
TWN4 MultiTech 3												•	•	•	•	•	•	•	•							
TWN4 Palon Compact												•	•	•	•	•	•	•	•							
TWN4 Palon Square M												•	•	•	•	•	•	•	•							
TWN4 MultiTech	•	•	•	•	•	•	•	•	•	•	•									•	•	•	•	•	•	•

As explained above, ELATEC RS-232 devices need external 5 V power supply. The table below gives an overview of the concerned devices with appropriate¹⁾ power supplies of the ELATEC portfolio.

ELATEC devices	PWA-AUS4	PWA-EU3	PWA-EU4	PWA-JP3	PWA-UK3	PWA-UK4	PWA-US3	PWA-US4
TWN4 MultiTech 2	•	•	•	•	•	•	•	•
TWN4 MultiTech 2 HF	•	•	•		•	•	•	•
TWN4 MultiTech 2 LEGIC	•	•	•		•	•	•	•
TWN4 MultiTech 2 LEGIC LF HF	•	•	•		•	•	•	•
TWN4 MultiTech 2 LF HF	•	•	•	•	•	•	•	•
TWN4 MultiTech 2 LEGIC M		•	•		•	•	•	•
TWN4 MultiTech 2 LEGIC M LF HF		•	•		•	•	•	•
TWN4 MultiTech 2 M		•	•		•	•	•	•
TWN4 MultiTech 2 M HF	•	•	•		•	•	•	•
TWN4 MultiTech 2 M LF HF	•	•	•		•	•	•	•
TCP3	•	•	•	•	•	•	•	•
TCPCnv		•	•	•	•	•	•	•
TWN4 MultiTech	•	•	•	•	•	•	•	•
TWN4 MultiTech M		•	•		•	•	•	•
TWN4 MultiTech LEGIC	•	•	•	•	•	•	•	•
TWN4 MultiTech LEGIC M		•	•		•	•	•	•

¹⁾ Depends on the approval status of the device in the country/region in which the device is intended to be used. Contact ELATEC for more information



PWA-AUS4



PWA-EU4



PWA-UK4



PWA-US4



PWA-JP3



PWA-EU3



PWA-UK3



PWA-US3

ELATEC GmbH

Zeppelinstr. 1
82178 Puchheim
Germany
P +49 89 552 9961 0
F +49 89 552 9961 129
E-Mail: info-rfid@elatec.com
Website: elatec.com

ELATEC Systems GmbH

Schwieberdinger Str. 44
71636 Ludwigsburg
Germany
P +49 7141 309736 0
E-Mail: info-rfid@elatec.com
Website: elatec.com

ELATEC Inc.

1995 SW Martin Hwy
Palm City • FL 34990
USA
P +1 772 210 2263
F +1 772 382 3749
E-Mail: americas-info@elatec.com
Website: elatec.com

ELATEC Technology (Shenzhen) LLC

918, Main Building, Tian An Cyber Times
Tower, No. 6, Tairan Fourth Road, Tian 'an
Community, Shatou Neighborhood
Futian District • Shenzhen • China
P/F +86 755 2394 6014
E-Mail: apac-info@elatec.com
Website: elatec.com

ELATEC reserves the right to change any information or data in this document without prior notice. ELATEC declines all responsibility for the use of this product with any other specification but the one mentioned above. Any additional requirement for a specific customer application has to be validated by the customer himself at his own responsibility. Where application information is given, it is only advisory and does not form part of the specification. Disclaimer: All names used in this document are registered trademarks of their respective owners.